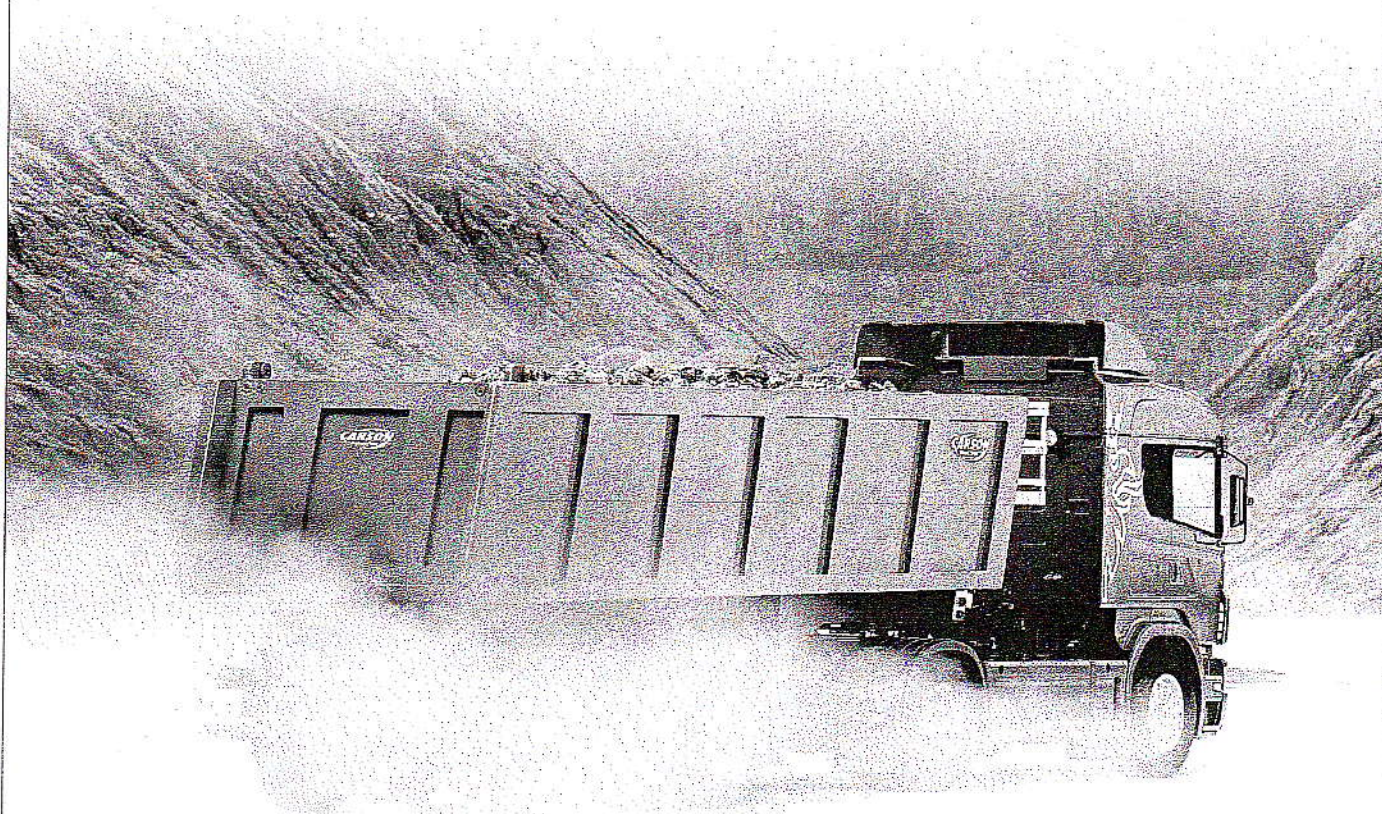


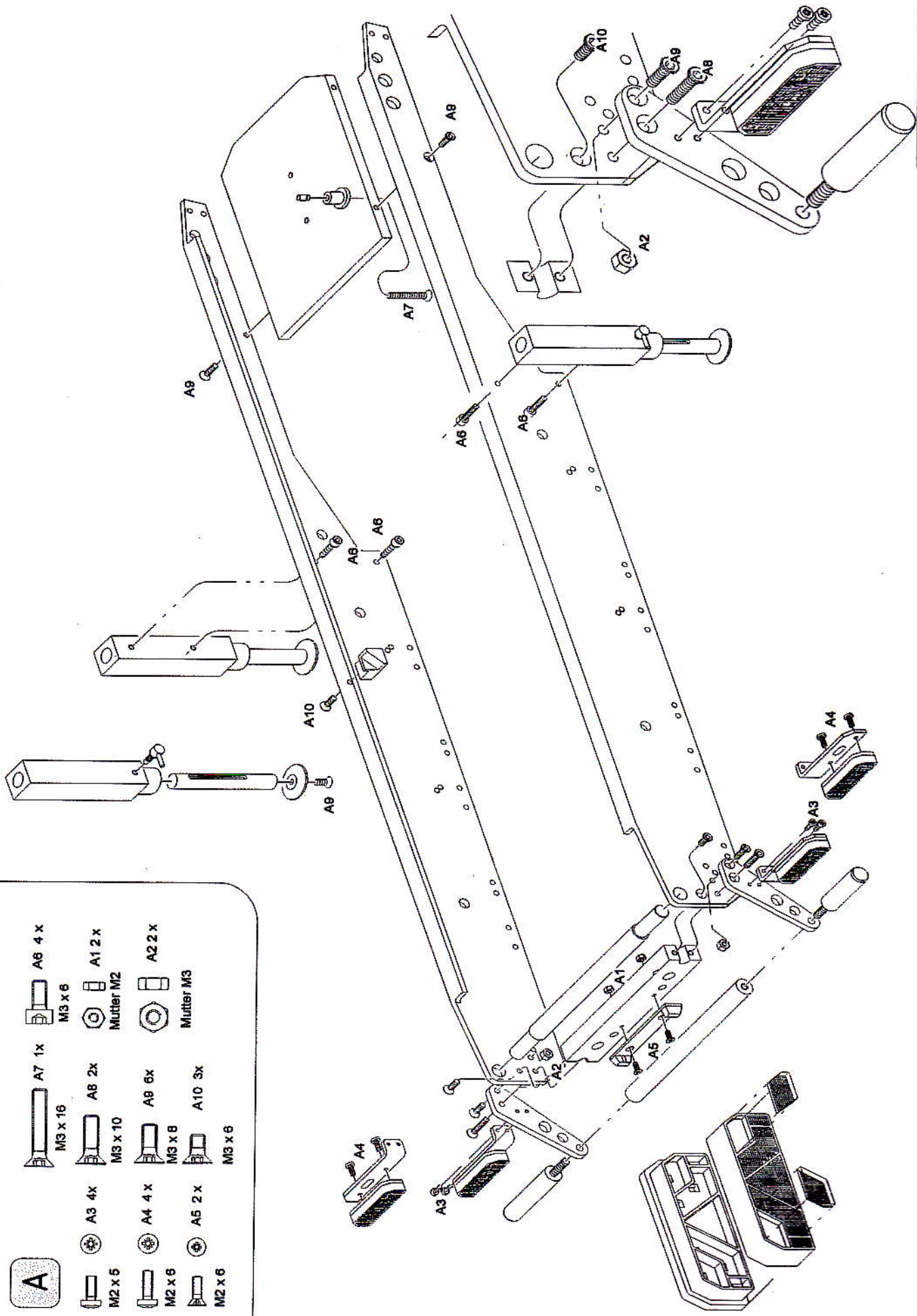


## 3-Achs Hinterkipp Sattelaufleger

- ⓐ **Instruction manual**
- ⓓ **Bauanleitung**
- ⓕ **Mode d'emploi**
- ⓔ **Instrucciones**
- ⓖ **Istruzioni d'uso**

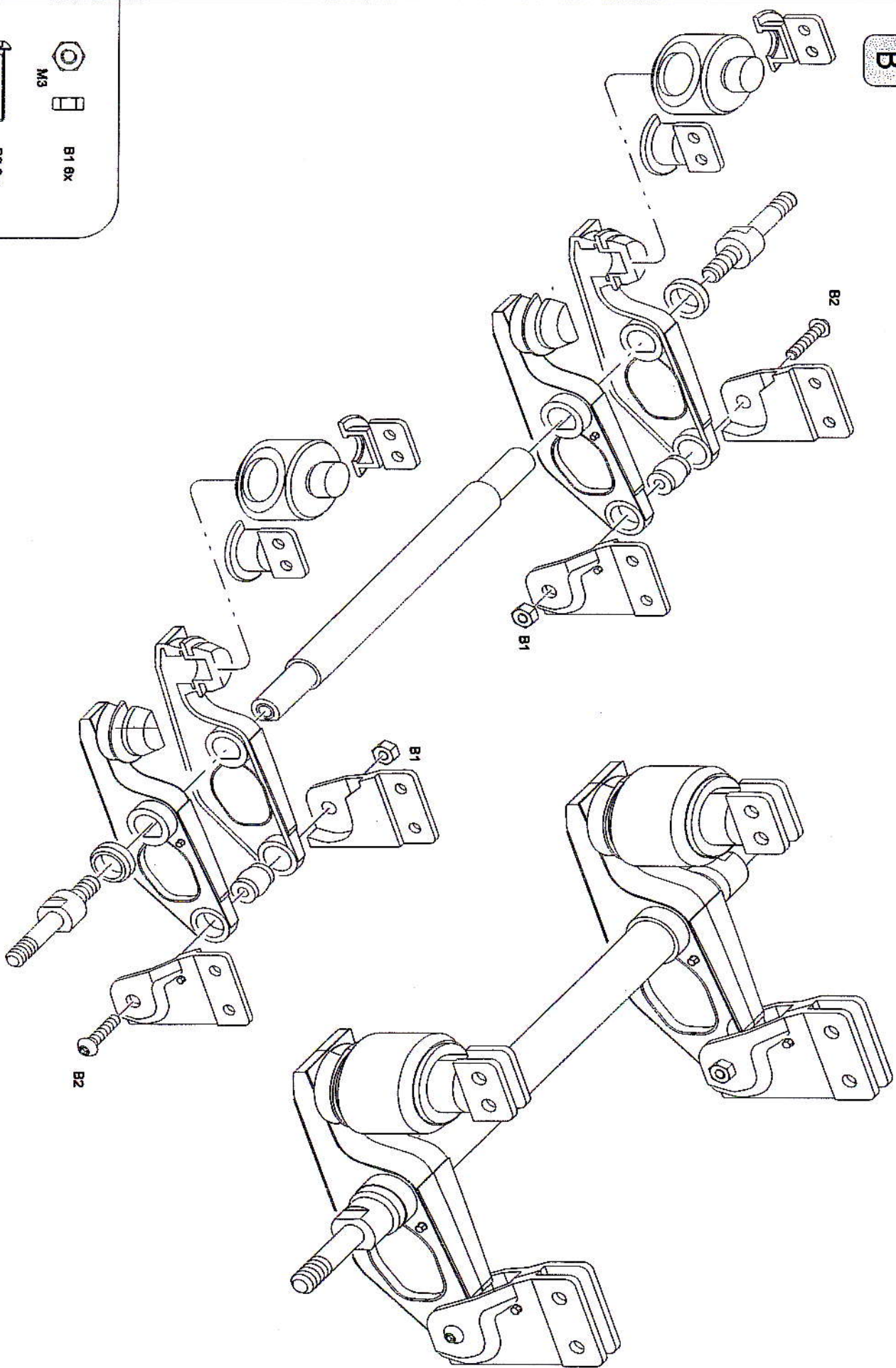



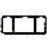


**CARSON 3-Achs Hinterkipp Sattelaufleger**  
**Art.nr.: 50 090 7050**

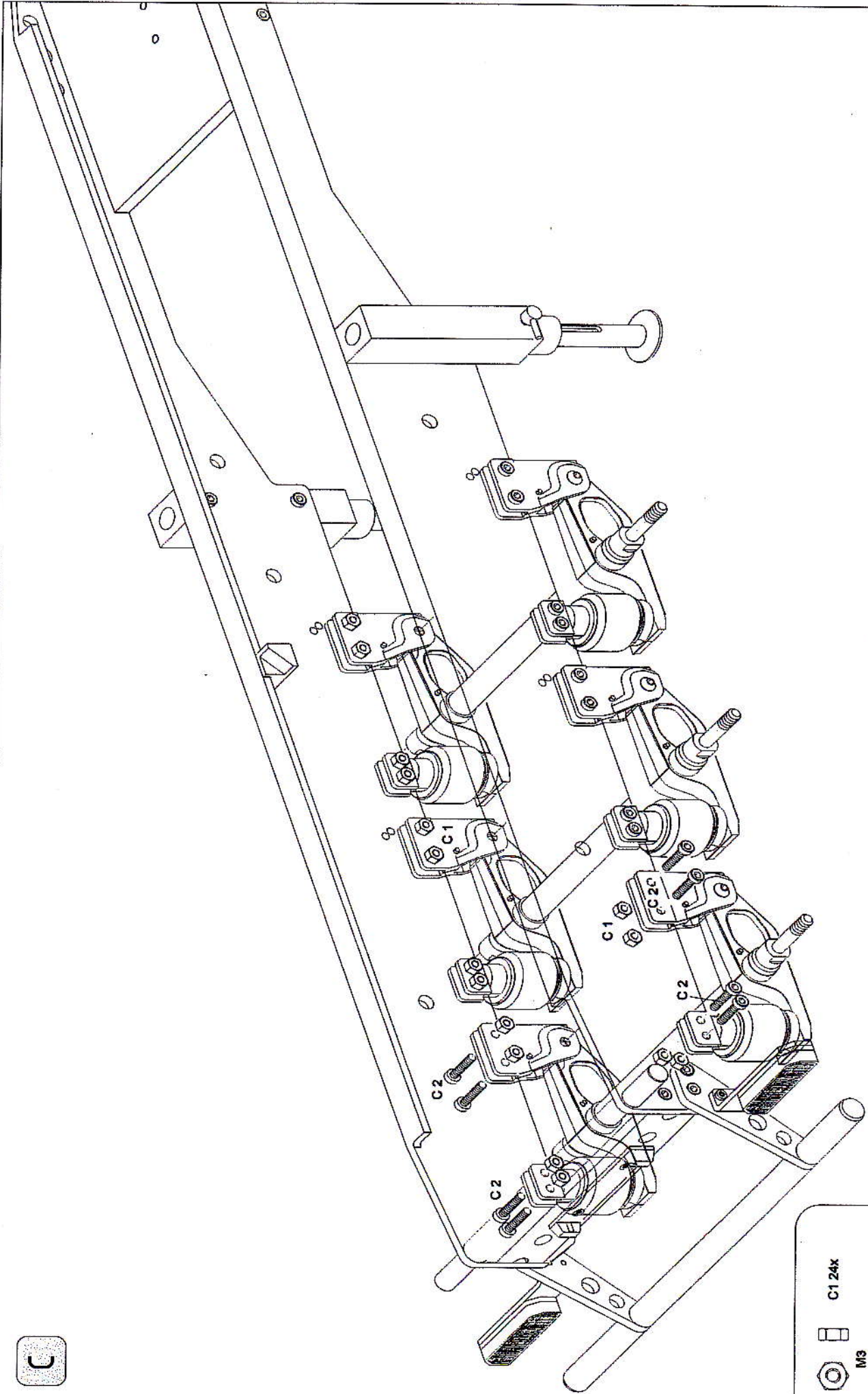



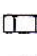


- |          |                 |                 |                 |                  |                  |                 |                  |                 |                    |                    |
|----------|-----------------|-----------------|-----------------|------------------|------------------|-----------------|------------------|-----------------|--------------------|--------------------|
| <b>A</b> | A3 4x<br>M2 x 5 | A4 4x<br>M2 x 6 | A5 2x<br>M2 x 6 | A7 1x<br>M3 x 16 | A8 2x<br>M3 x 10 | A9 6x<br>M3 x 8 | A10 3x<br>M3 x 6 | A6 4x<br>M3 x 6 | A1 2x<br>Mutter M2 | A2 2x<br>Mutter M3 |
|----------|-----------------|-----------------|-----------------|------------------|------------------|-----------------|------------------|-----------------|--------------------|--------------------|

**B**

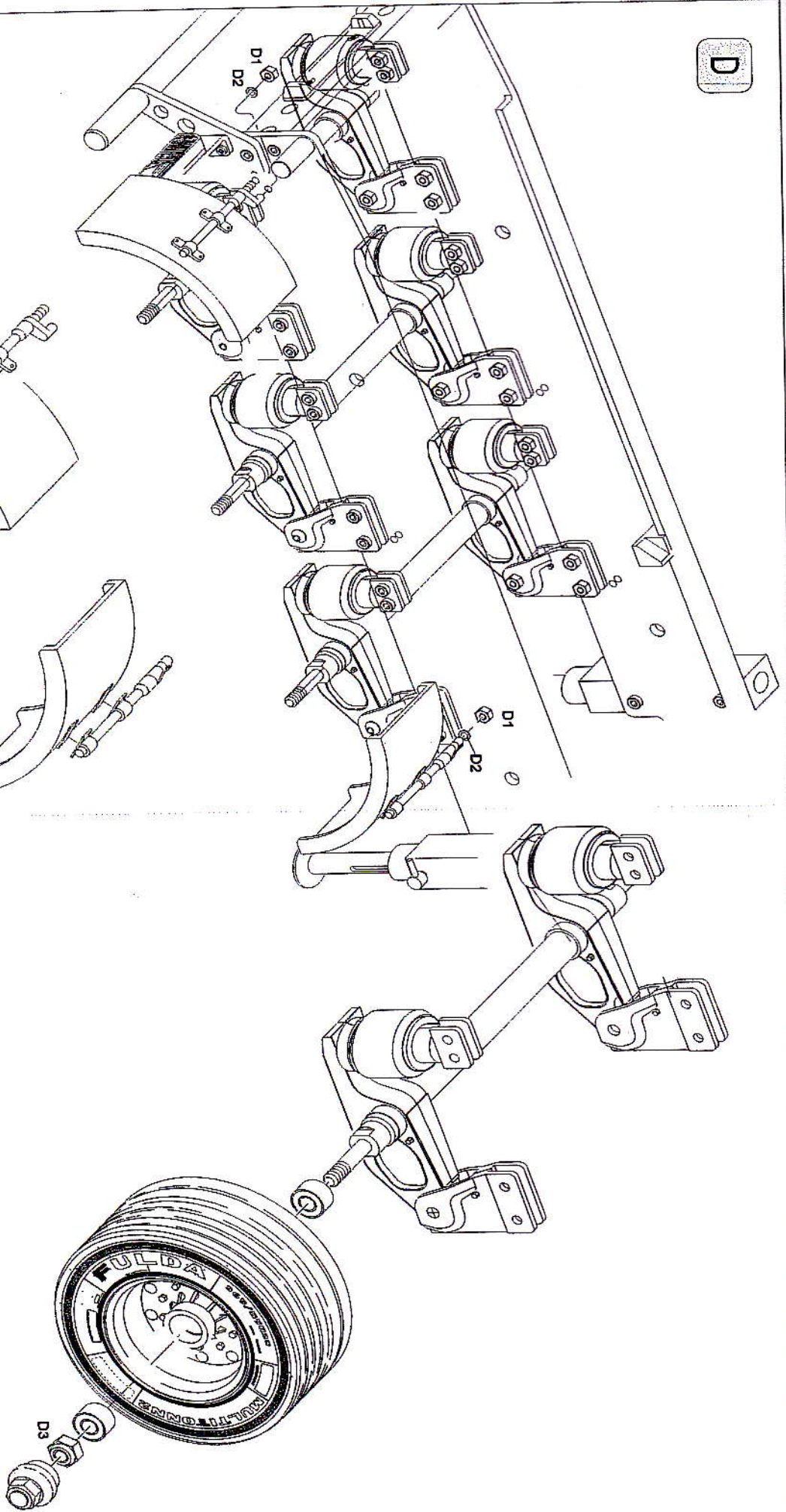


-  M3
-  B1 6x
-  M3x14
-  B2 6x

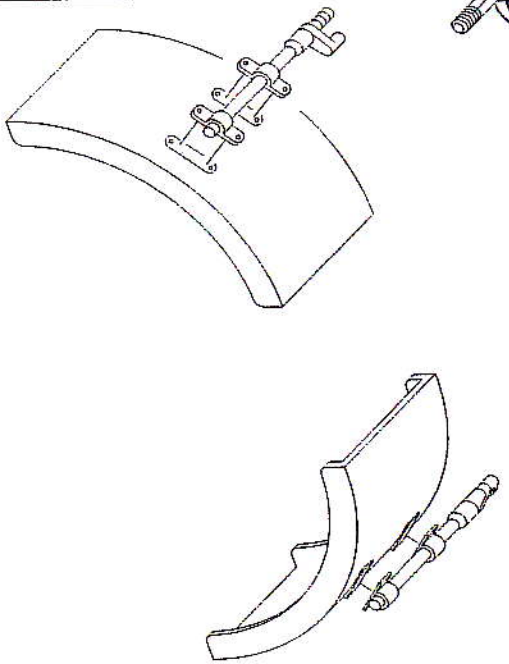


-  C1 24x
-  M3
-  C2 24x
-  M3 x 10

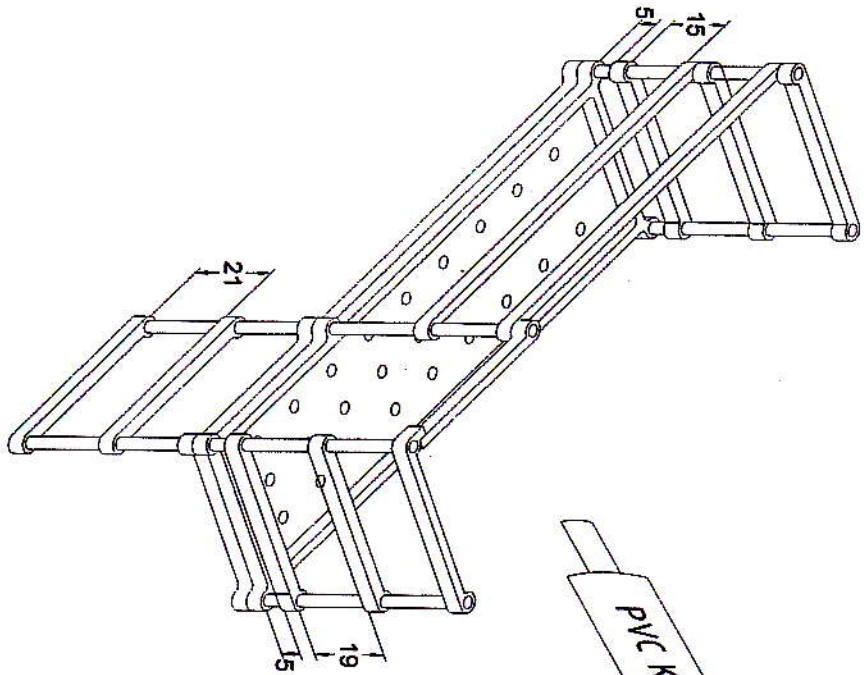
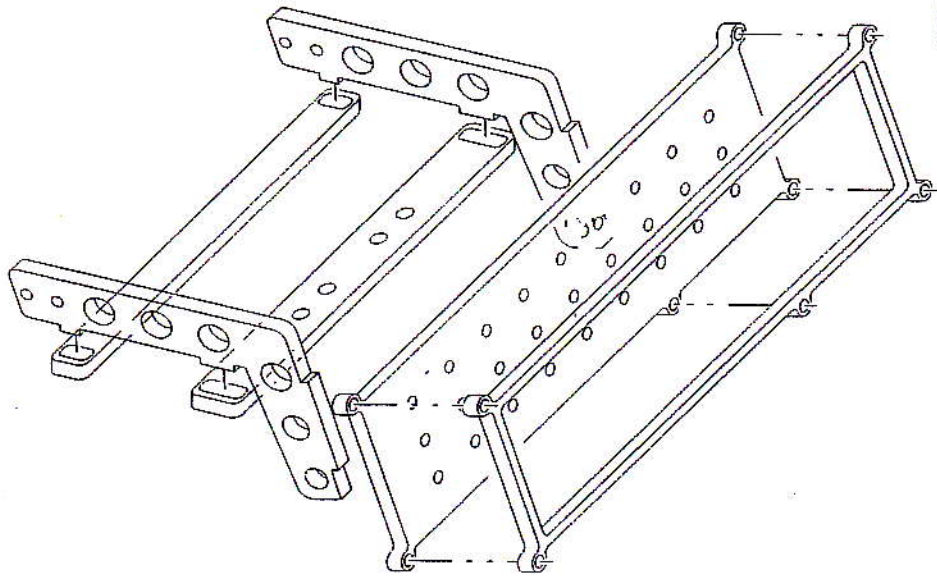
D



	M3		D1 4 X
	D=3,2		D2 4 X
	Stopnutter M5		D3 6 X

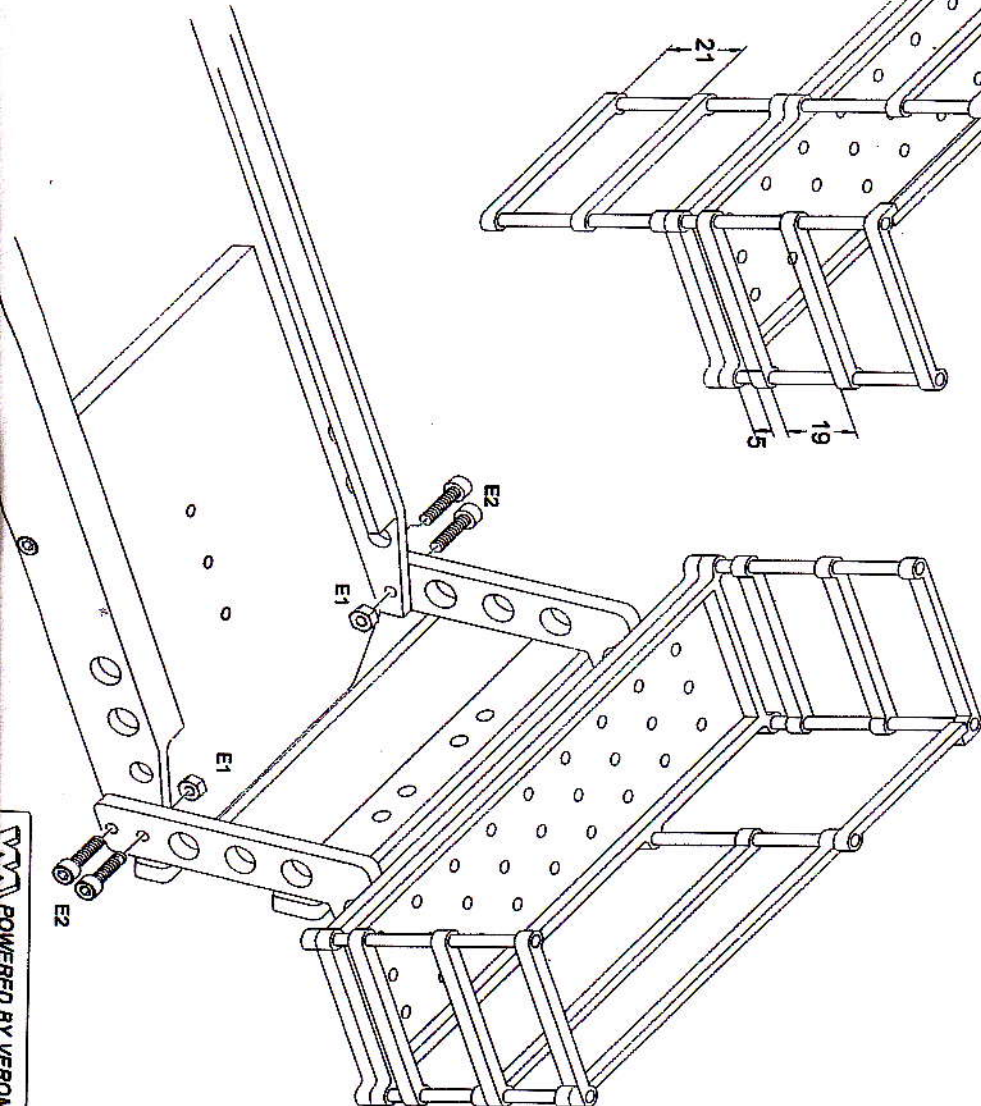


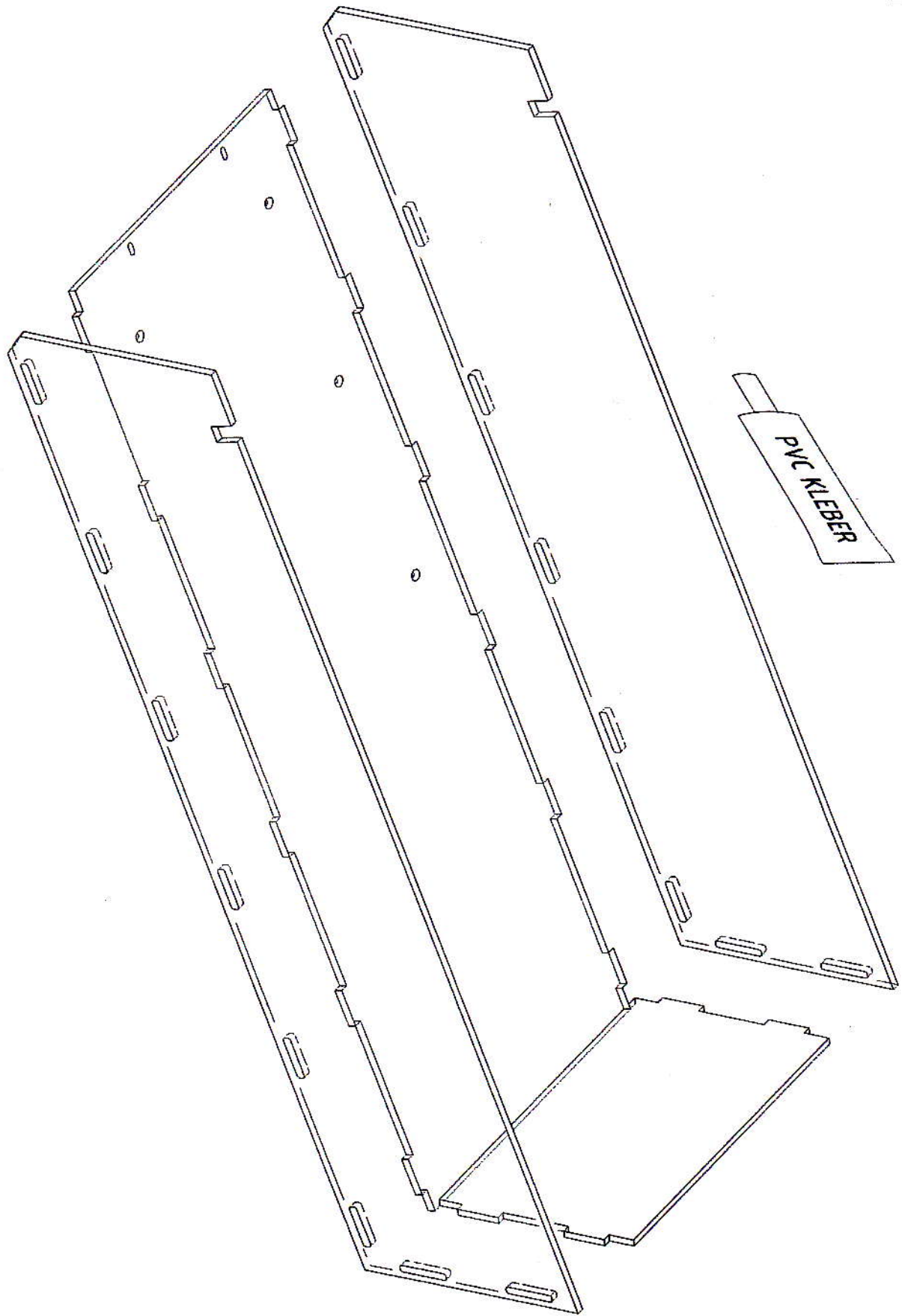
E



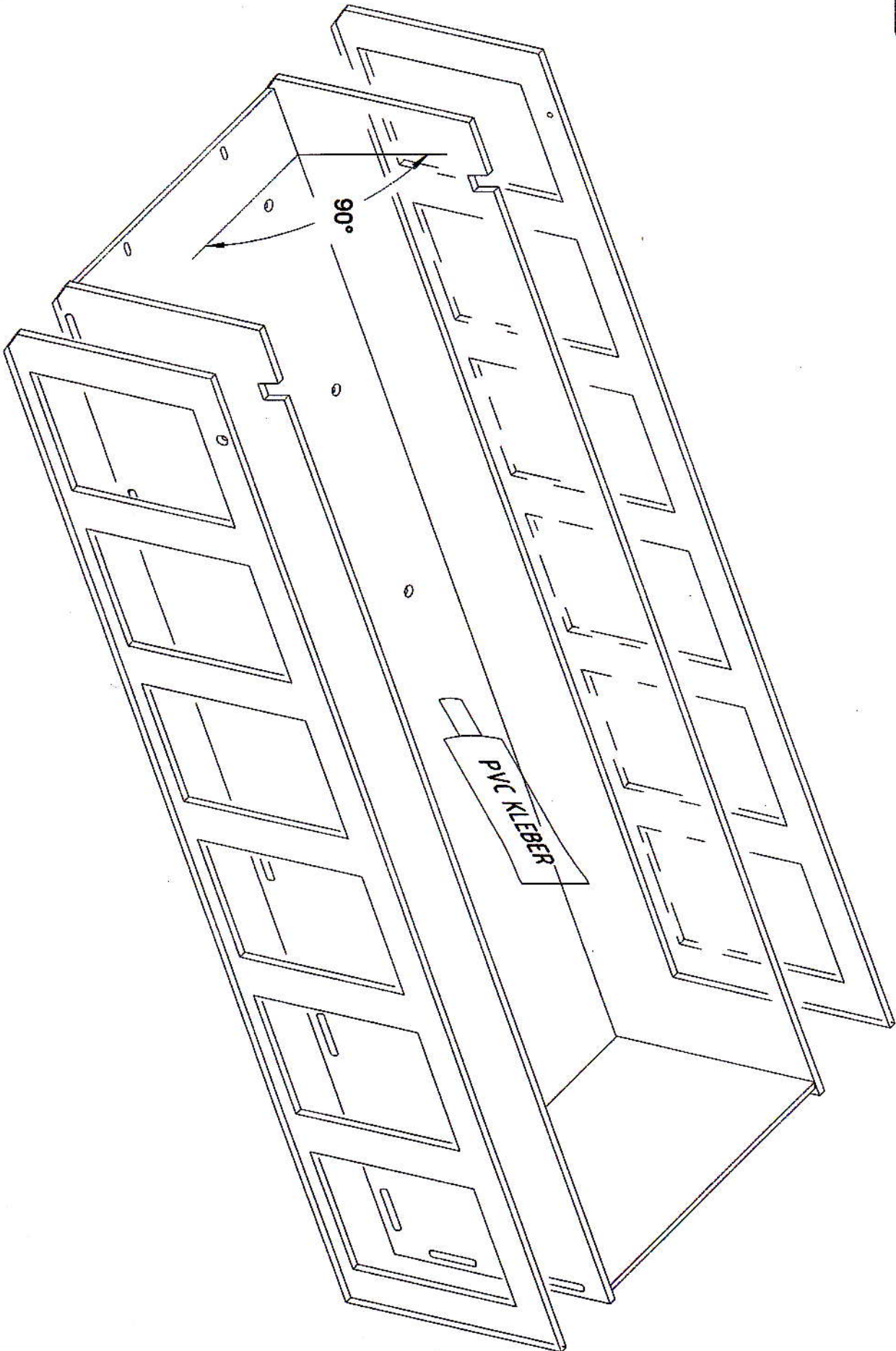
PVC KLEBER

- M3
- E1 2x
- M3 x 10
- E2 4x





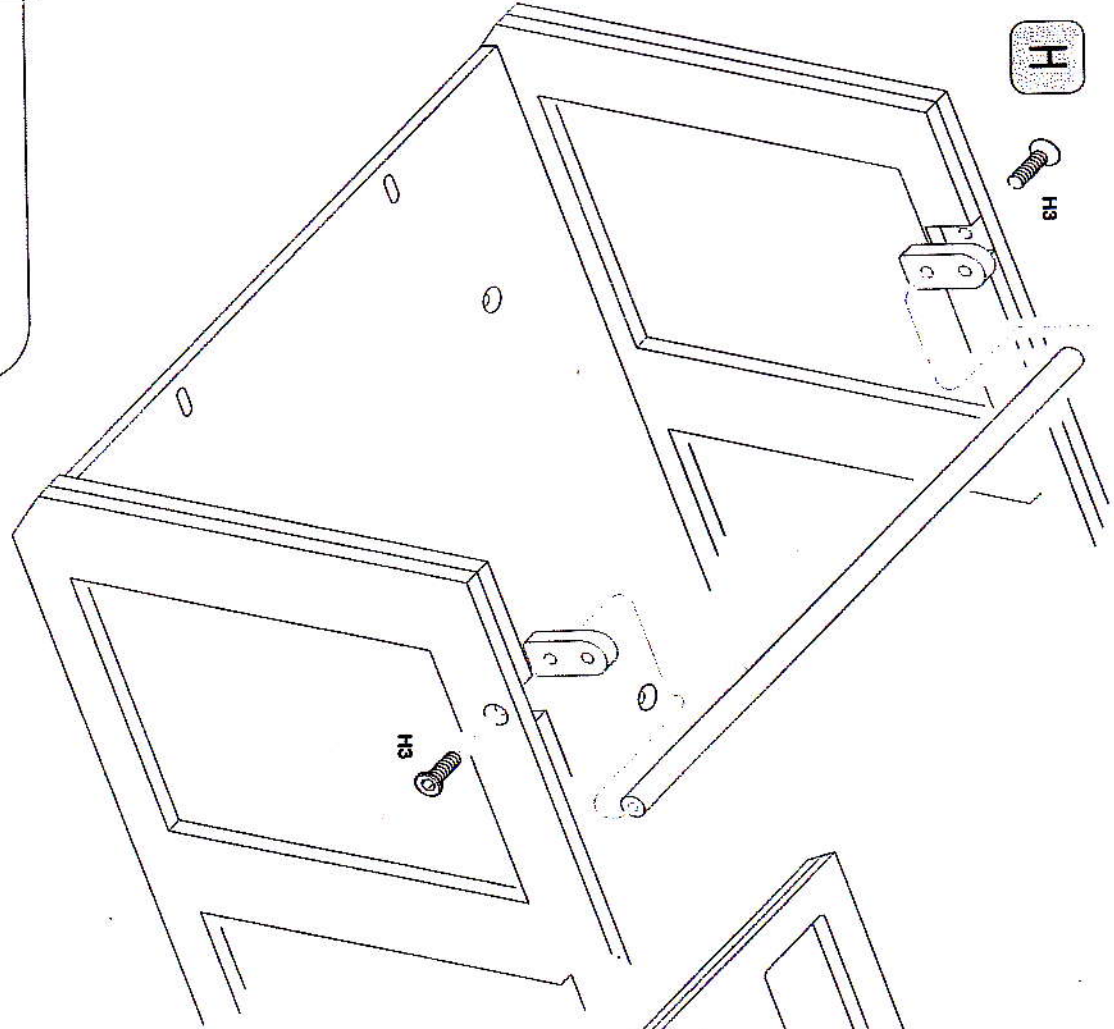
PVC KLEBER





H

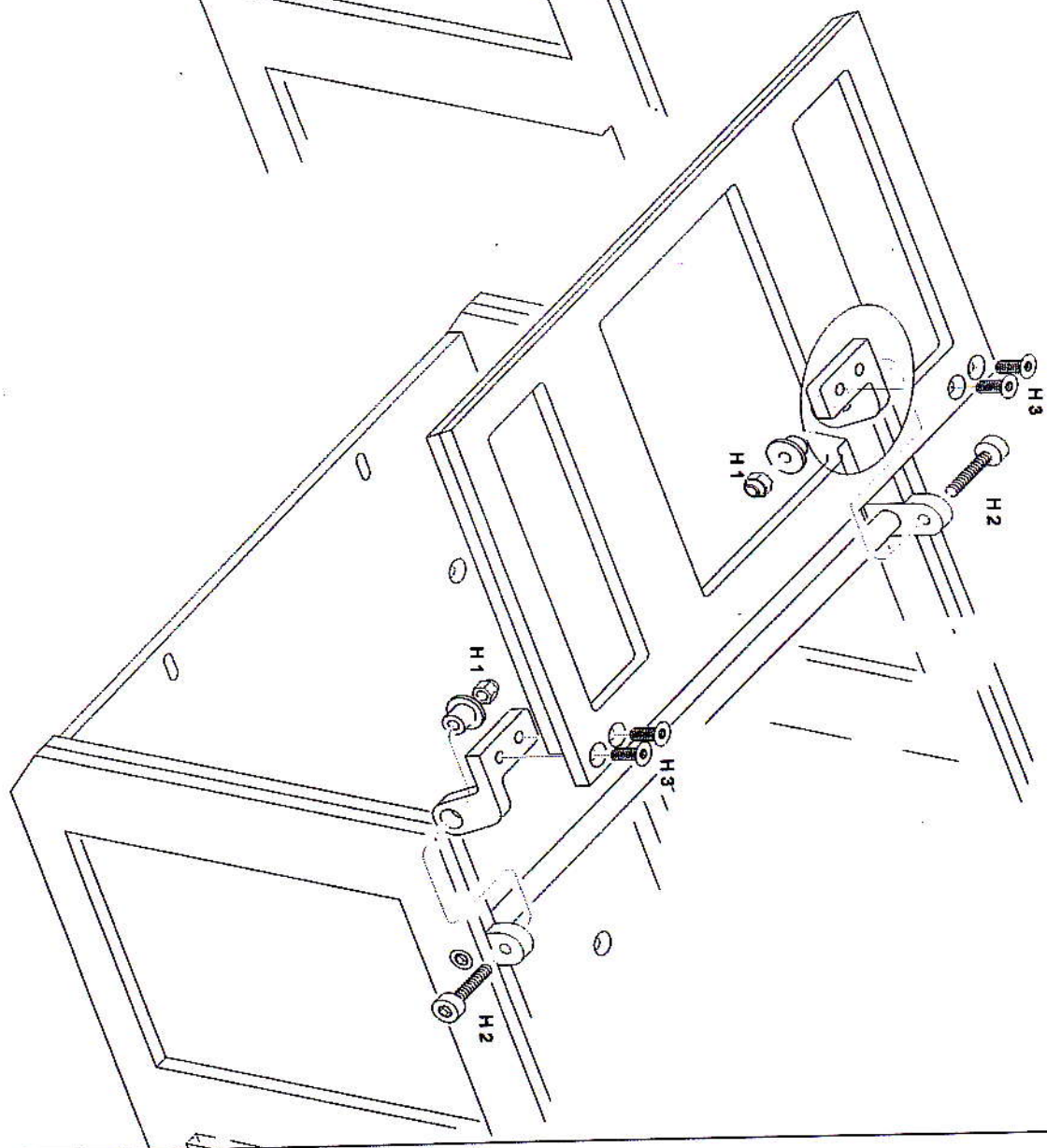
H3



H3

H2

H1



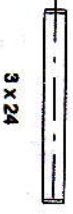
H1

H3

H2

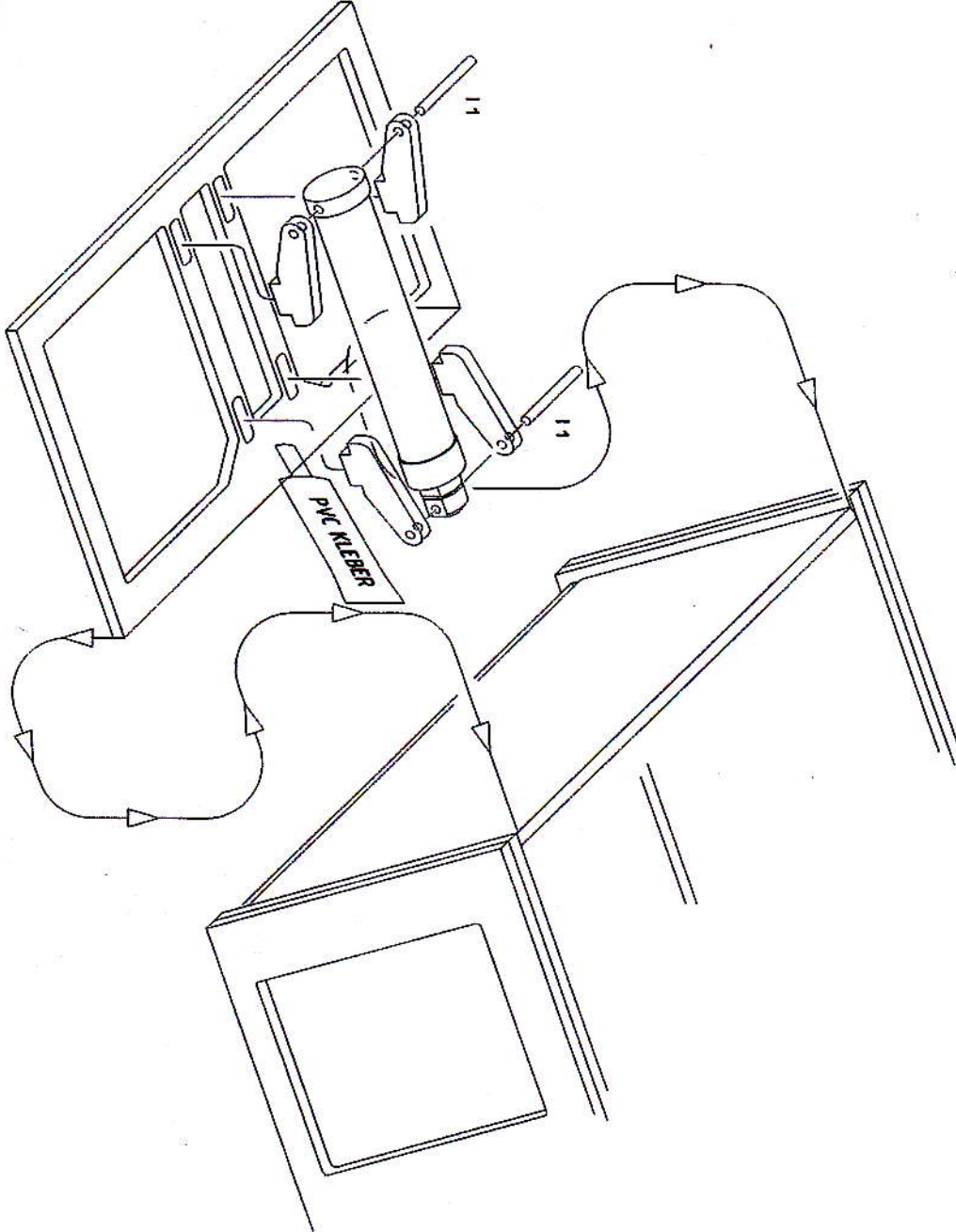
- H1 2x
- H2 2x
- H3 6x
- M3 Stopmutter
- M3 x 14
- M3 x 8









WM POWERED BY VEROMA

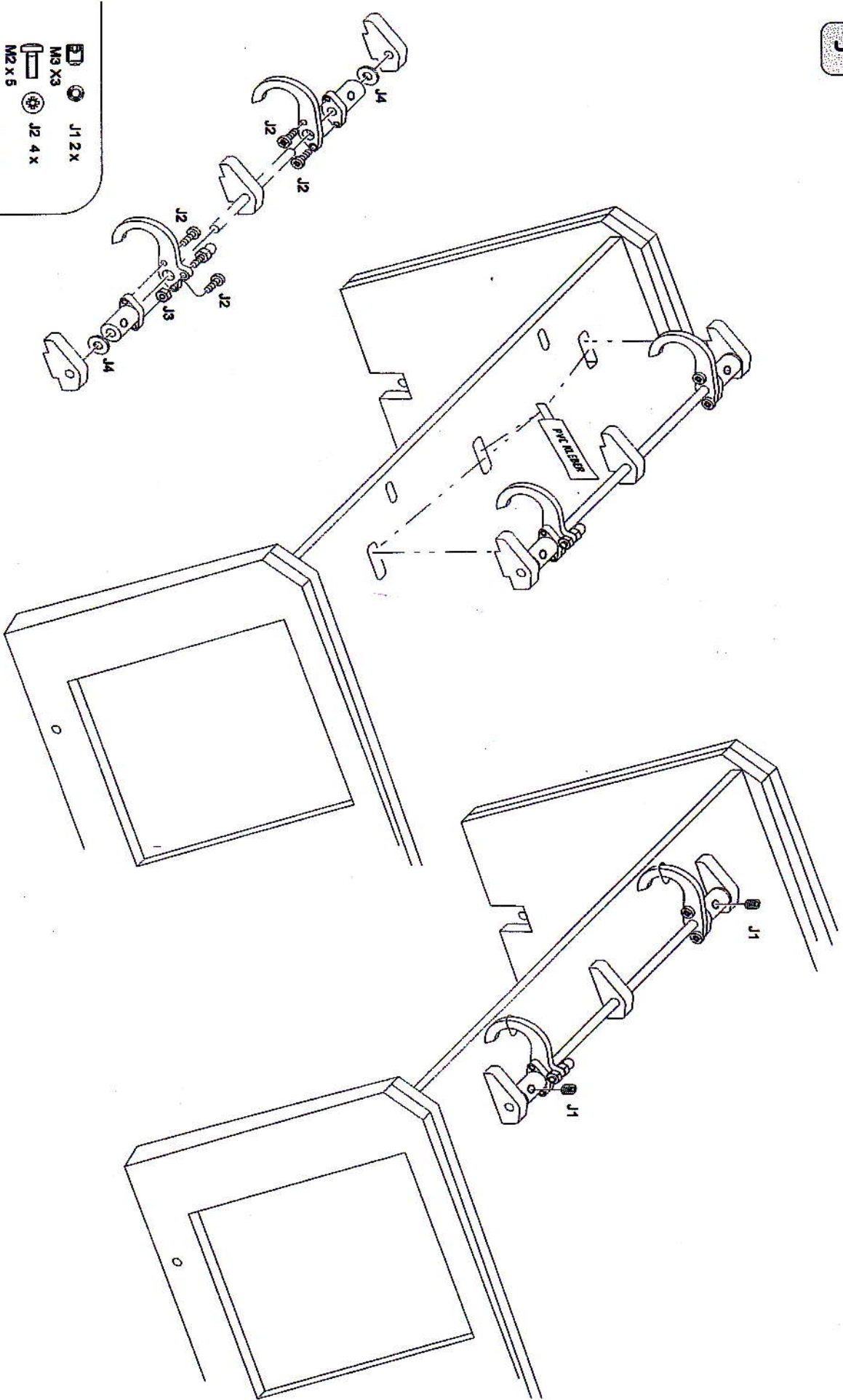


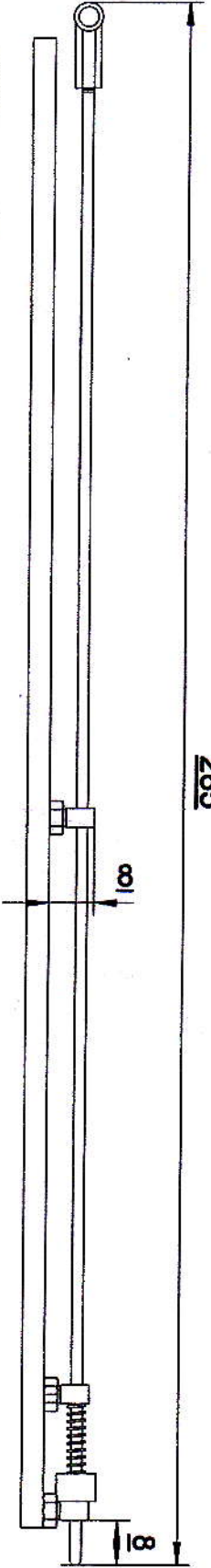
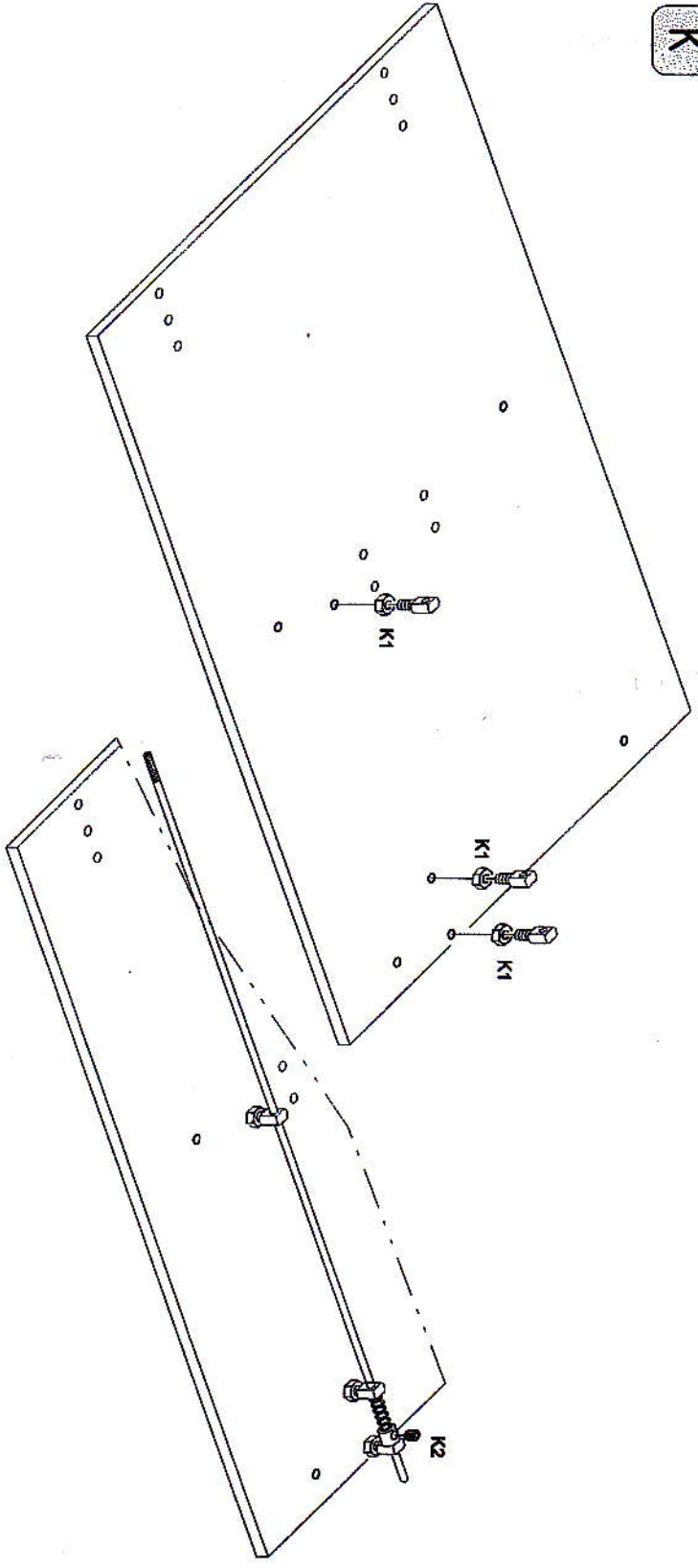
3 x 24


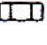


1 1/2 x



-  J1 2 X
-  M3 X3
-  J2 4 X
-  M2 X5
-  M2
-  J3 1 X
-  J4 2 X
-  D=3.2



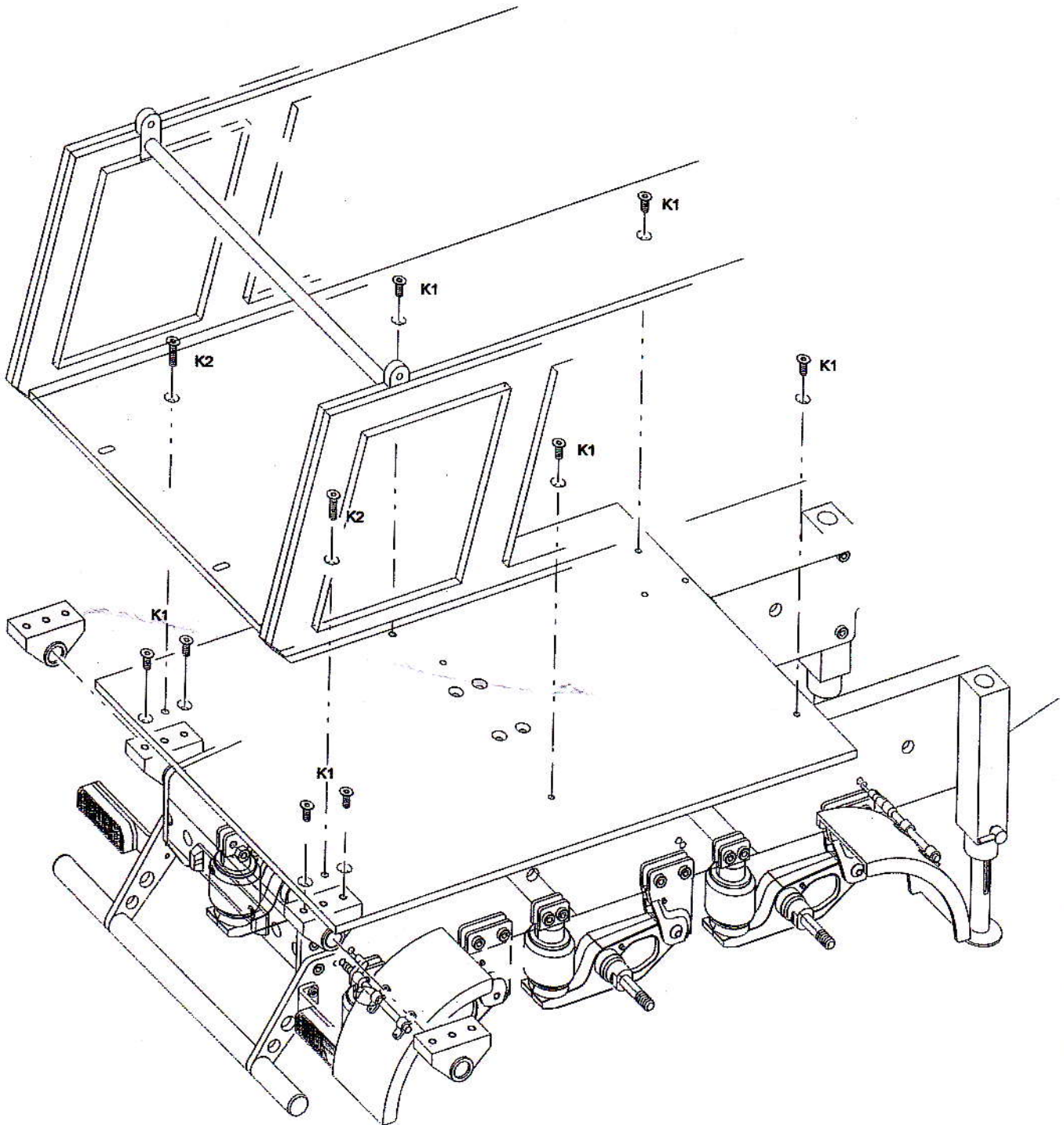


-  K1 3 x
-  M3
-  M3x3
-  K2 1x



M3 x 8  
K1 6x

M3 x 12  
K2 2x



# CARSON

## MODEL SPORT

**Service-Hotline:**

(8.00 Uhr -17.00 Uhr)

**(01805) 73 33 00**

12 ct/min

**CARSON-MODEL SPORT**

Mitglied der **SIMBA-DICKIE-GROUP**

Werkstrasse 1 • D-90765 Fürth

[www.carson-modelsport.com](http://www.carson-modelsport.com)



---

# SIMBA · DICKIE · GROUP

---

*Eichhorn* noris



*Schuco*